

The ENMod component power front-end system for EN compliance provides an effective solution for an AC front end of a power supply enabled with Vicor DC-DC converters. The ENMod system's basic building blocks are the MiniHAM™ passive harmonic attenuation module, the FARM3™ autoringing AC-DC front-end module (Figure 9.3) and a discrete EMI filter.

The ENMod system provides transient / surge immunity, harmonic current attenuation (Figure 9.2) and EMI filtering, in addition to all of the power switching and control circuitry necessary for autoringing rectification, inrush current limiting and overvoltage protection. Converter enable and status functions for orderly power up / down control or sequencing are also provided. To complete the AC front-end configuration, the user only needs to add hold-up capacitors, EMI filter (Figure 9.1b), and a few discrete components.

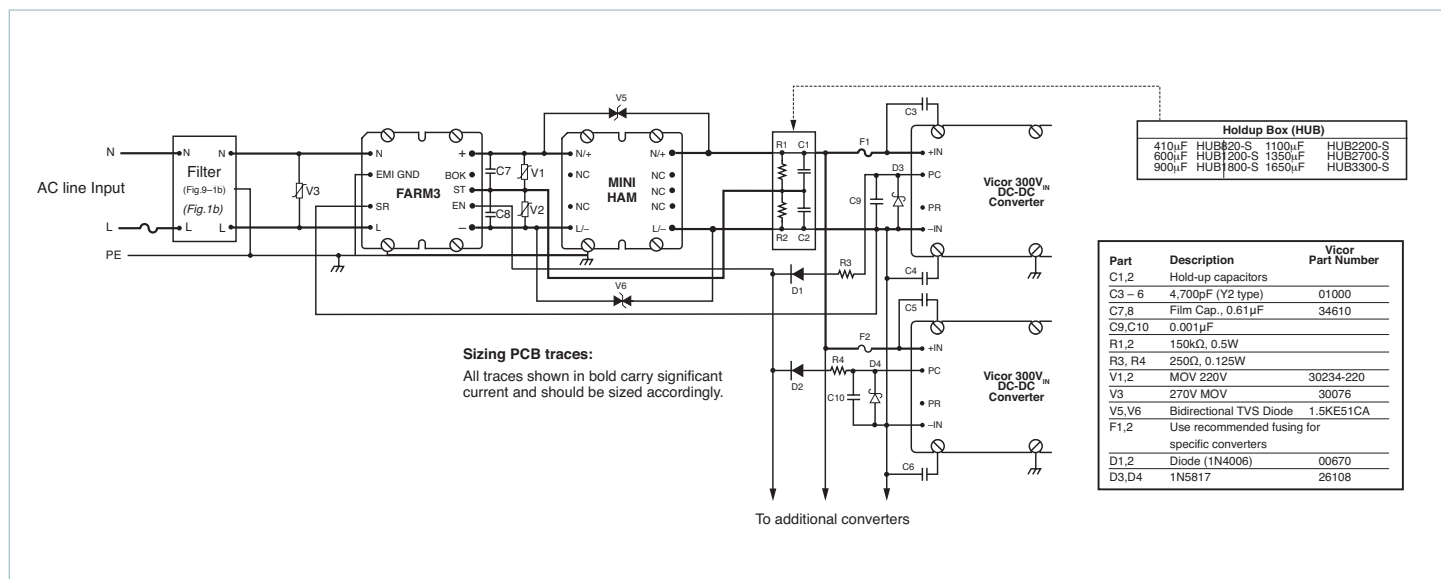


Figure 9.1a — Offline power supply configuration

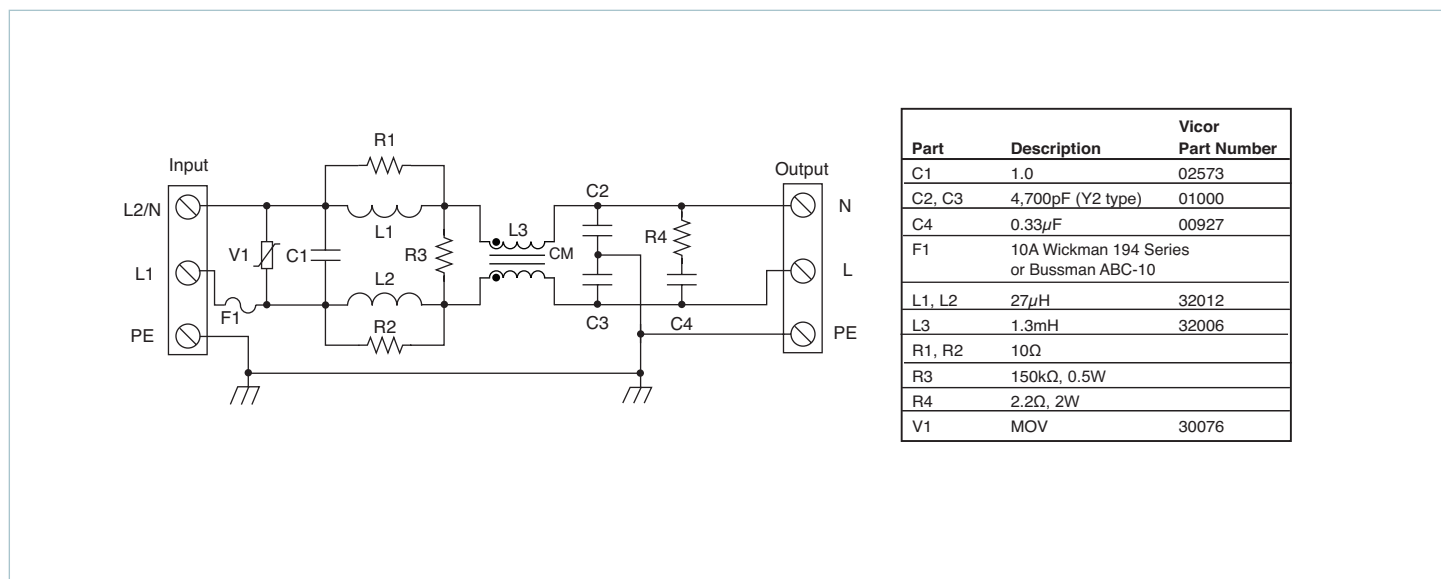


Figure 9.1b — Input EMI filter for EN55022, Class B compliance

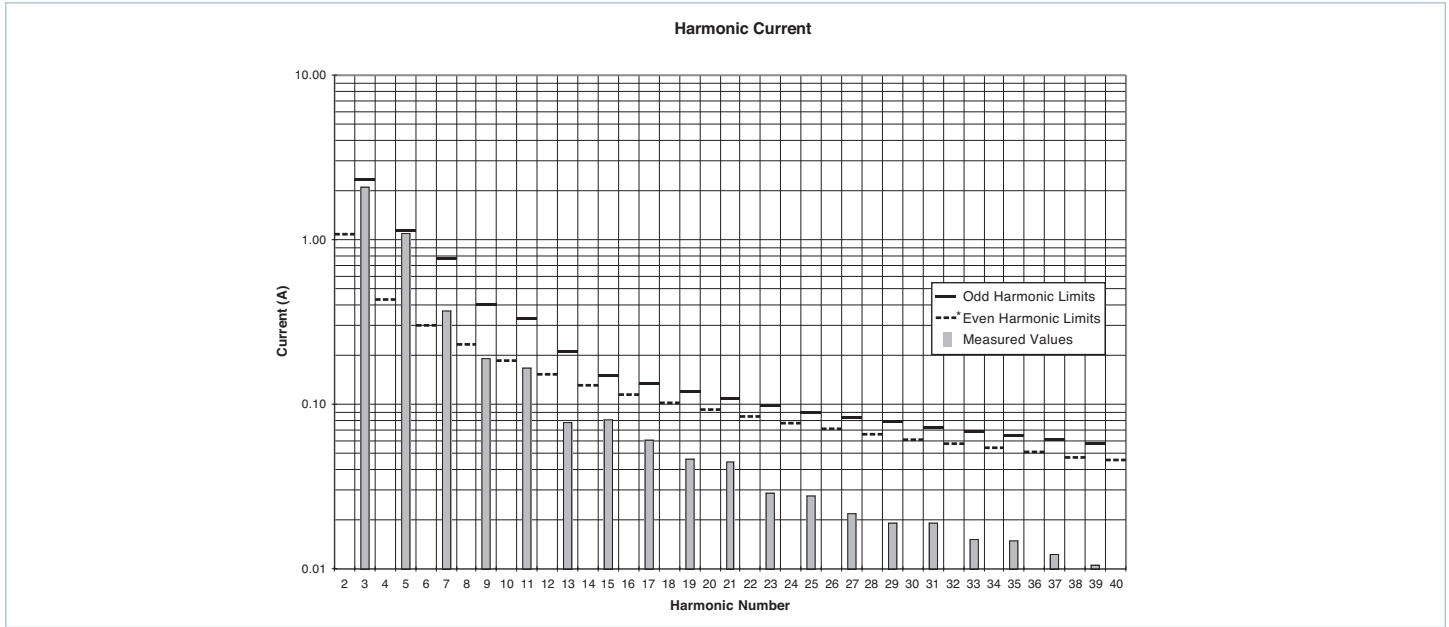


Figure 9.2 — Measured harmonic current at 230V_{AC} 575W vs. EN spec limits (*Measured values of even harmonics are below 0.01A)

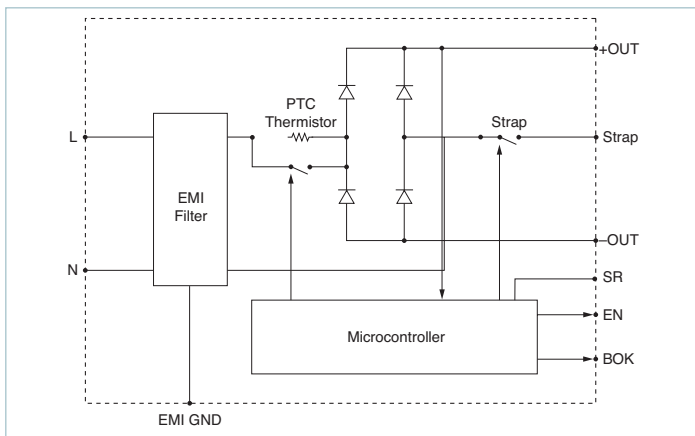


Figure 9.3 — Functional block diagram: FARM3™ module

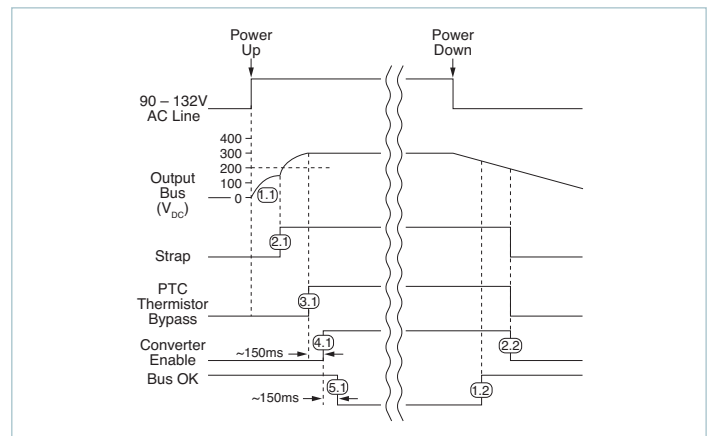


Figure 9.4 — Timing diagram: power-up / down sequence

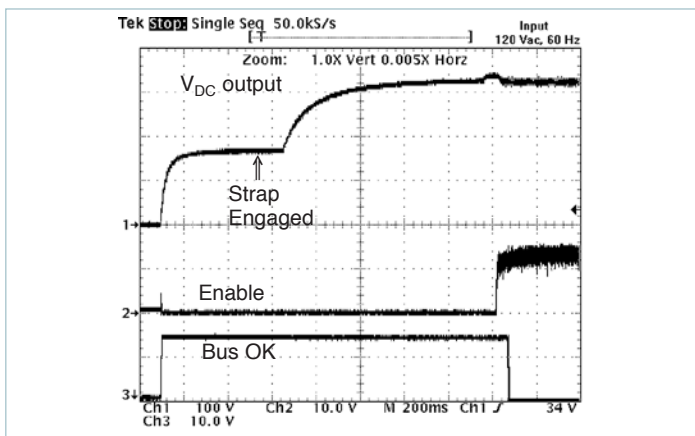


Figure 9.5 — Start up at 120V_{AC} input

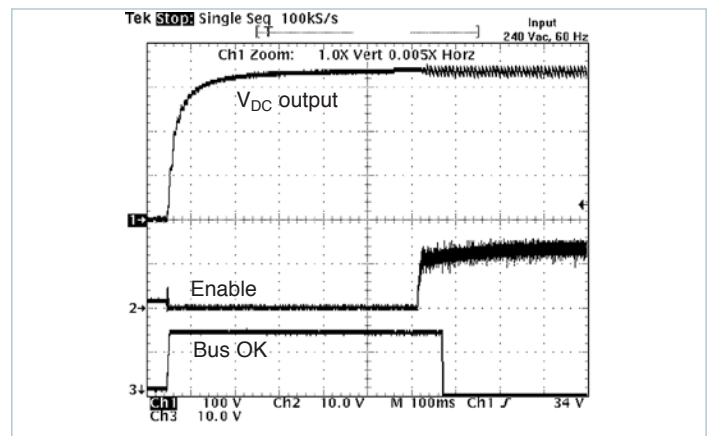


Figure 9.6 — Start up at 240V_{AC} input

Power-Up Sequence (Figure 9.4)

1.1 Upon application of input power, the hold-up capacitors begin to charge. The thermistor limits the charge current, and the exponential time constant is determined by the hold-up capacitor value and the thermistor cold resistance. The slope (dV/dt) of the capacitor voltage versus time approaches zero as the capacitors become charged to the peak of the AC line voltage.

The switch that bypasses the inrush limiting Positive-Temperature Coefficient PTC thermistor is open when power is applied, as is the switch that engages the strap for voltage doubling. In addition, the converter modules are disabled via the Enable (EN) line, and Bus OK (BOK) is high.

2.1 If the bus voltage is less than 200V as the slope nears zero, the voltage doubler is activated and the bus voltage climbs exponentially to twice the peak line voltage. If the bus voltage is greater than 200V, the doubler is not activated.

3.1 If the bus voltage is greater than 235V as the slope approaches zero, the inrush limiting thermistor is bypassed. Below 235V, it is not bypassed.

4.1 The converters are enabled ~150ms after the thermistor bypass switch is closed.

5.1 Bus OK is asserted after an additional ~150ms delay to allow the converter outputs to settle within specification.

Power-Down Sequence (Figure 9.4)

When input power is turned off or fails, the following sequence occurs as the bus voltage decays:

1.2 Bus OK is de-asserted when the bus voltage falls below 210V_{DC}.

2.2 The converters are disabled when the bus voltage falls below 190V_{DC}. If power is reapplied after the converters are disabled, the entire power-up sequence is repeated. If a momentary power interruption occurs and power is reestablished before the bus reaches the disable threshold, the power-up sequence is not repeated, i.e., the power conversion system “rides through” the momentary interruption.

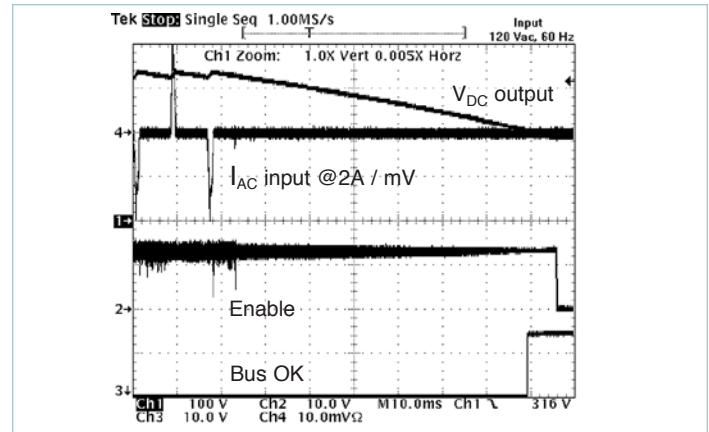


Figure 9.7 — Power down from 120V_{AC}

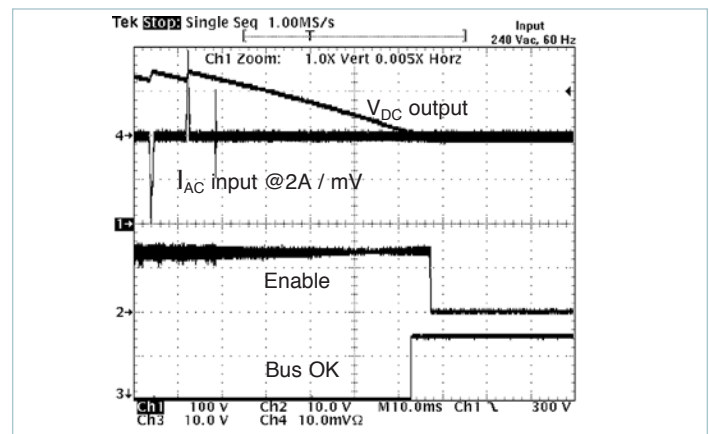


Figure 9.8 — Power down from 240V_{AC}

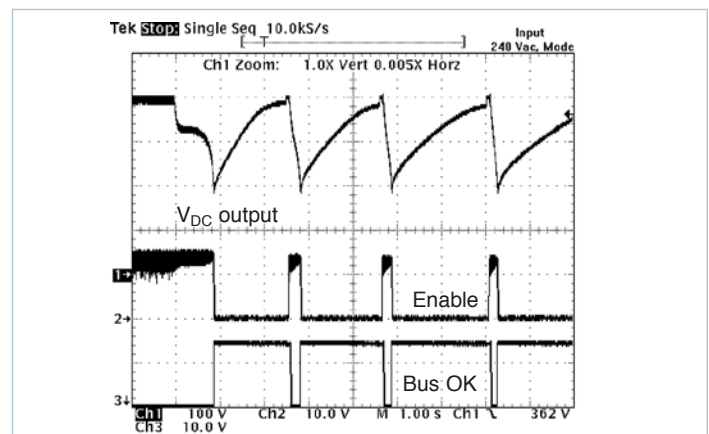


Figure 9.9 — Output overvoltage protection 240V_{AC} range

Filtering and Transient Protection

The ENMod system maintains the DC output bus voltage between 250 and 370V_{DC} over the entire input-voltage range, which is compatible with all Vicor 300V input converters. Autoranging automatically switches to the proper bridge or doubler mode at startup depending on the input voltage, eliminating the possibility of damage due to improper line connection. The ENMod system is rated at 575W output power. These modules can serve as the AC front end for any number and combination of compatible converters as long as the maximum power rating is not exceeded.

FARM3™ Module Pin Descriptions

Strap (ST) Pin: In addition to input and output power pin connections, it is necessary to connect the Strap pin to the center junction of the series hold-up capacitors (C1, C2) for proper (autoranging) operation. Varistors V1 and V2 provide capacitor protection. The bleeder resistors (R1, R2) discharge the hold-up capacitors when power is switched off. Capacitors C7 and C8 are recommended if the hold-up capacitors are located more than 3in [75mm] from the output pins.

Enable (EN) Pin: The Enable pin must be connected to the PC pin of all converter modules to disable the converters during power up. Otherwise, the converters would attempt to start while the hold-up capacitors are being charged through the current limiting thermistor, preventing the bus voltage from reaching the thermistor bypass threshold, thus disabling the power supply. The Enable output (the drain of an N-channel MOSFET) is internally pulled up to 15V through a 150kΩ resistor. (Figure 9.11)

A signal diode should be placed close to and in series with the PC pin of each converter to eliminate the possibility of control interference between converters. The Enable pin switches to the high state (15V) with respect to the SR pin to turn on the converters after the power-up inrush is over. The Enable function also provides input overvoltage protection for the converters by turning off the converters if the DC bus voltage exceeds 400V_{DC}. The thermistor bypass switch opens if this condition occurs, placing the thermistor in series with the input voltage, reducing the bus voltage to a safe level while limiting input current in case the varistors conduct. The thermistor bypass switch also opens if a fault or overload reduces the bus voltage to less than 180V_{DC}. (Figure 9.3)

CAUTION: There is no input to output isolation in the ENMods, hence the –OUT of the ENMods and thus the –IN of the downstream DC-DC converter(s) are at a high potential. If it is necessary to provide an external enable / disable function by controlling the DC-DC converter's PC pin (referenced to the –IN) of the converter, an opto-isolator or isolated relay should be employed.

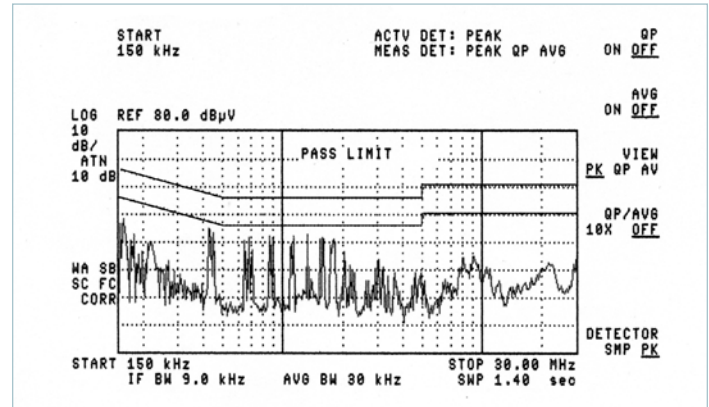


Figure 9.10a — Peak detection

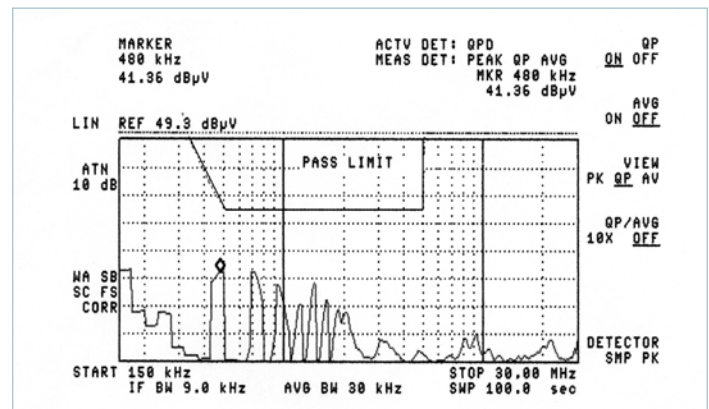


Figure 9.10b — Quasi-peak detection

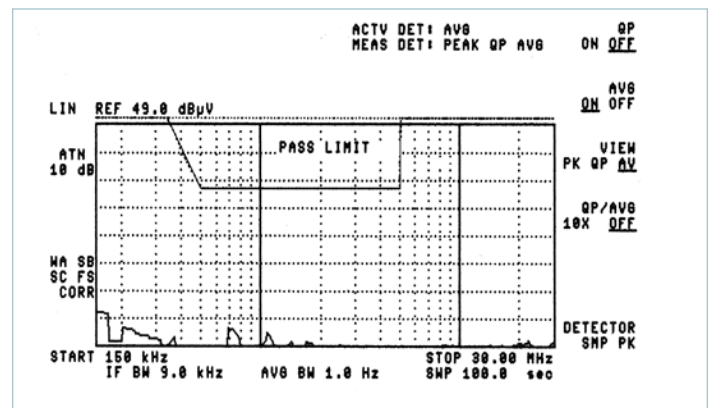


Figure 9.10c — Average detection

Bus OK (BOK) Pin: (Figure 9.12) The Bus OK pin is intended to provide early-warning power-fail information and is also referenced to the SR pin.

Caution: There is no input-to-output isolation in the ENMods. It is necessary to monitor Bus OK via an optoisolator if it is to be used on the secondary (output) side of the converters. A line-isolation transformer should be used when performing scope measurements. Scope probes should never be applied simultaneously to the input and output as this will damage the module.

L, N Pins: Line and neutral input.

+ / - Pins: Positive and negative outputs.

SR Pin: Signal return for BOK and EN outputs.

For MiniHAM™ Module Pin connections (Figure 9.1a)

Filter: (Figure 9.1b) The input EMI filter consists of differential and common-mode chokes, Y-capacitors (line-ground) and X-capacitors (line-line). This filter configuration provides sufficient common-mode and differential-mode insertion loss in the frequency range between 100kHz and 30MHz to comply with the Class B conducted emissions limit, as illustrated in Figures 9.10a – 9.10c.

Hold-up Capacitors: Hold-up capacitor values should be determined according to output bus voltage ripple, power-fail hold-up time, and ride-through time. (Figure 9.13) Many applications require the power supply to maintain output regulation during a momentary power failure of specified duration, i.e., the converters must hold-up or ride-through such an event while maintaining undisturbed output voltage regulation. Similarly, many of these same systems require notification of an impending power failure in order to allow time to perform an orderly shutdown.

The energy stored on a capacitor which has been charged to voltage V is:

$$\mathcal{E} = 1/2(CV^2) \quad (1)$$

where: \mathcal{E} = stored energy

C = capacitance

V = voltage across the capacitor

Energy is given up by the capacitors as they are discharged by the converters. The energy expended (the power-time product) is:

$$\mathcal{E} = P\Delta t = C(V_1^2 - V_2^2)/2 \quad (2)$$

where: P = operating power

Δt = discharge interval

V_1 = capacitor voltage at the beginning of Δt

V_2 = capacitor voltage at the end of Δt

Rearranging Equation 2 to solve for the required capacitance:

$$C = 2P\Delta t / (V_1^2 - V_2^2) \quad (3)$$

The power-fail warning time (Δt) is defined as the interval between Bus OK and converter shutdown (EN) as illustrated in Figure 9.13. The Bus OK and Enable thresholds are 205 and 190V, respectively. A simplified relationship between power fail warning time, operating power and bus capacitance is obtained by inserting these constants in Equation 3:

$$C = 2P\Delta t / (205^2 - 190^2)$$

$$C = 2P\Delta t / (5,925)$$

It should be noted that the series combination (C1, C2, Figure 9.1a) requires each capacitor to be twice the calculated value, but the required voltage rating of each capacitor is reduced to 200V.

Allowable ripple voltage on the bus (or ripple current in the capacitors) may define the capacitance requirement. Consideration should be given to converter ripple rejection and resulting output ripple voltage.

Equation 3 is again used to determine the required capacitance. In this case, V_1 and V_2 are the instantaneous values of bus voltage at the peaks and valleys (Figure 9.13) of the ripple, respectively. The capacitors must hold up the bus voltage for the time interval (Δt) between peaks of the rectified line as given by:

$$\Delta t = (\pi - \theta) / 2\pi f \quad (4)$$

where: f = line frequency

θ = rectifier conduction angle

The approximate conduction angle is given by:

$$\theta = \cos^{-1} V_2 / V_1 \tag{5}$$

Another consideration in hold-up capacitor selection is their ripple current rating. The capacitors' rating must be higher than the maximum operating ripple current. The approximate operating ripple current (RMS) is given by:

$$I_{RMS} = 2P / V_{AC} \tag{6}$$

where: P = total output power

V_{AC} = operating line voltage

Calculated values of bus capacitance for various hold-up time, ride-through time and ripple voltage requirements are given as a function of operating power level in Figures 9.14, 9.15 and 9.16, respectively.

Example

In this example, the output required from the DC-DC converter at the point of load is 12V_{DC} at 320W. Therefore the output power from the ENMods would be 375W (assuming a converter efficiency of 85%). The desired hold-up time is 9ms over an input range of 90 – 264V_{AC}.

Determining Required Capacitance for Power Fail Warning:

Figure 9.14 is used to determine capacitance for a given power fail warning time and power level, and shows that the total bus capacitance should be at least 820µF. Since two capacitors are configured in series, each capacitor should be at least 1,640µF.

Note: The warning time is not dependent on line voltage. A hold-up capacitor calculator is available on the Vicor website at:

<http://asp.vicorpower.com/calculators/calculators.asp?calc=4>

Determining Ride-through Time: Figure 9.15 illustrates ride-through time as a function of line voltage and output power, and shows that at a nominal line of 90V_{AC}, ride-through would be 68ms. Ride-through time is a function of line voltage.

Determining Ripple Voltage on the Hold-up Capacitors:

Figure 9.16 is used to determine ripple voltage as a function of operating power and bus capacitance and shows that the ripple voltage across the hold-up capacitors will be 12V_{p-p}.

Determining the Ripple on the Output of the DC-DC Converter:

Figure 9.17 is used to determine the ripple rejection of the DC-DC converter and indicates a ripple rejection of approximately 60dB for a 12V output. Since the ripple on the bus voltage is 12V_{AC} and the ripple rejection of the converter is 60dB, the output ripple of the converter due to ripple on its input (primarily 120Hz) will be 12mV_{p-p}.

A variety of hold-up capacitor options are available. Please visit our website at

<http://asp.vicorpower.com/calculators/calculators.asp?calc=4>.

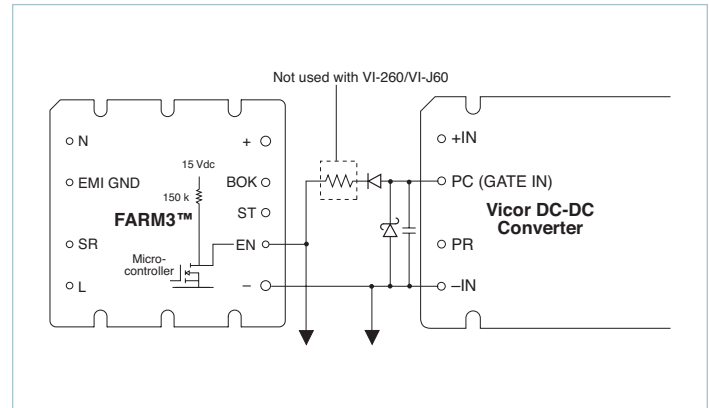


Figure 9.11 — Enable (EN) function

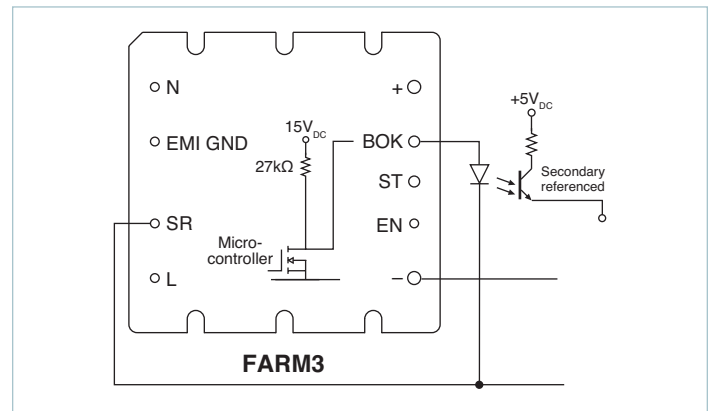


Figure 9.12 — Bus OK (BOK) isolated power status indicator

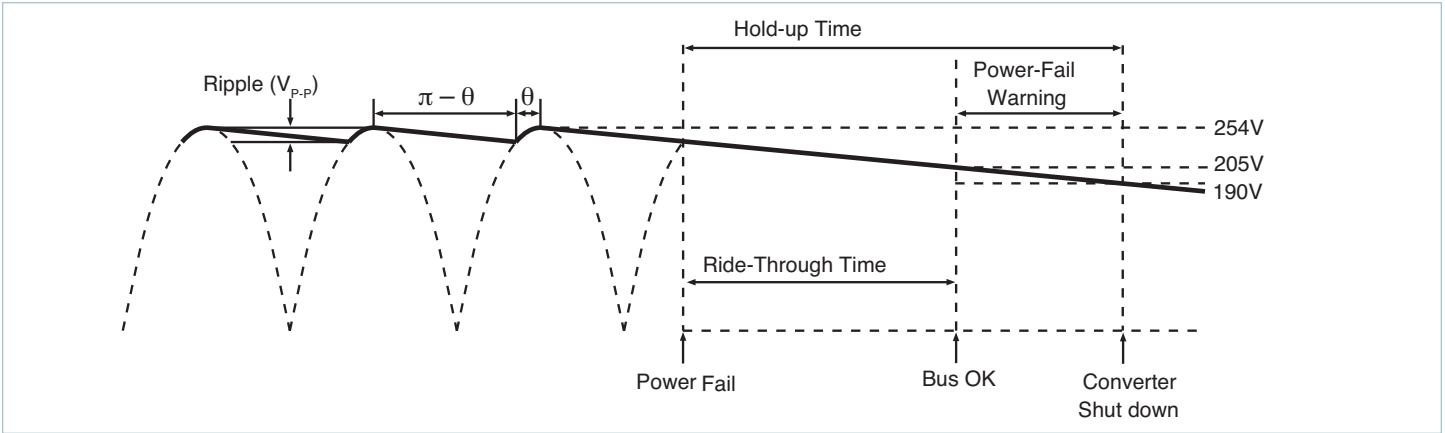


Figure 9.13 — General timing diagram of bus voltage following interruption of the AC mains

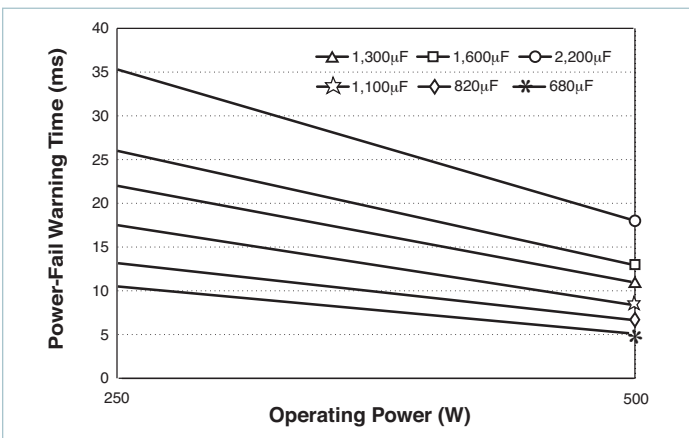


Figure 9.14 — Power-fail warning time vs. operating power and total bus capacitance, series combination of C1, C1 (Figure 9.1a)

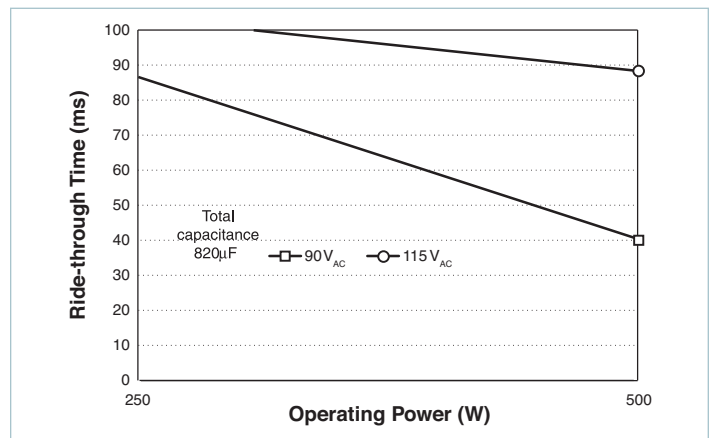


Figure 9.15 — Ride-through time vs. operating power

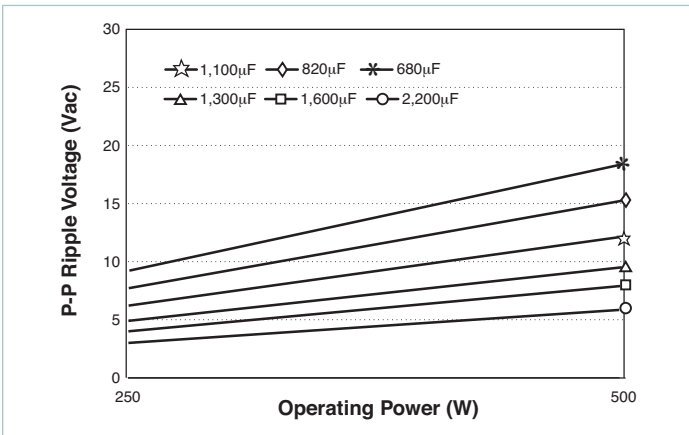


Figure 9.16 — Ripple voltage vs. operating power and bus capacitance, series combination of C1, C1 (Figure 9.1a)

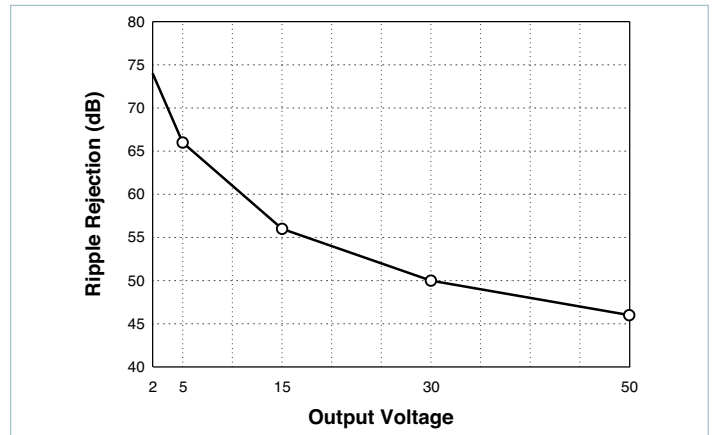


Figure 9.17 — Converter ripple rejection vs. output voltage (typical)