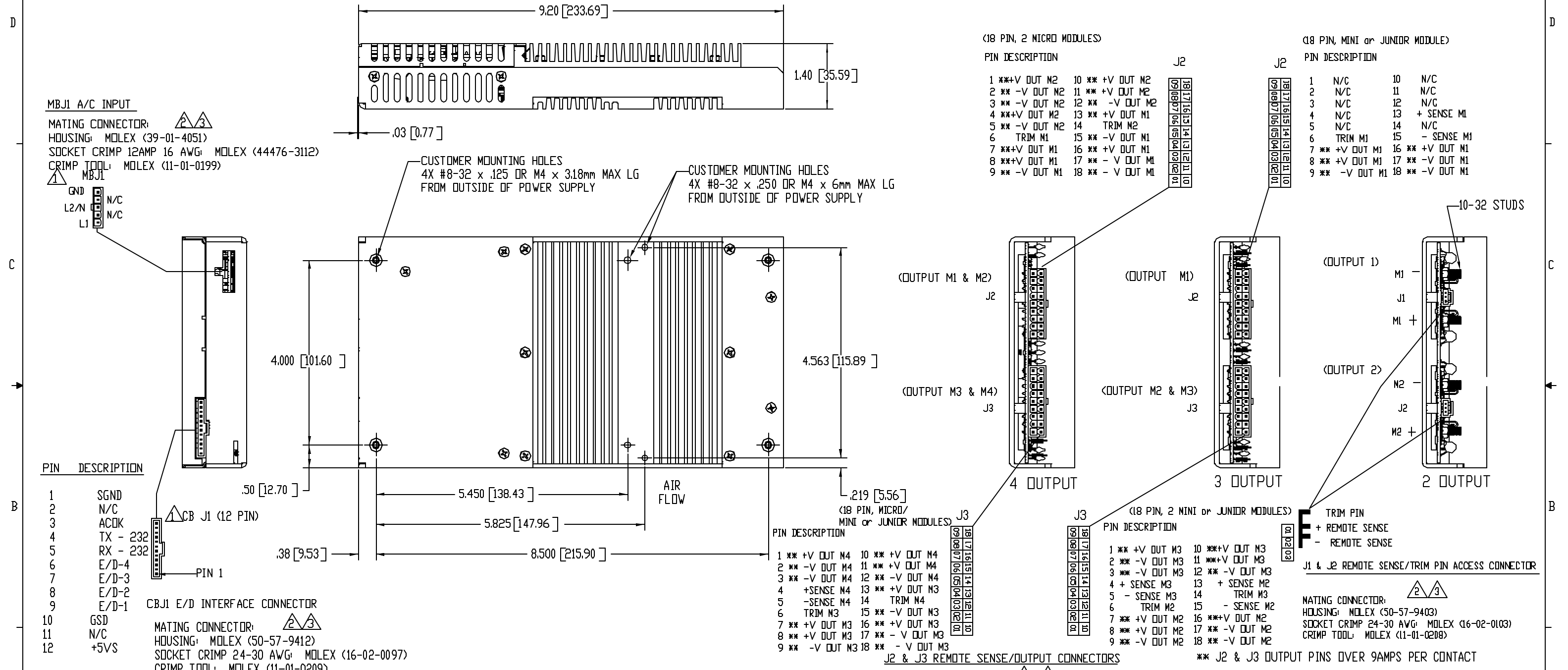


PROPRIETARY DATA:

This document and information contained may not be reproduced, used or disclosed without prior written permission of WESTCOR a division of VICOR Corporation.

NOTE: A DETAILED DESIGN GUIDE IS AVAILABLE @ [www.vicorpower.com](http://www.vicorpower.com)

REVISION HISTORY				
ECO	REV	DESCRIPTION	DATE	APPROVED
1208	A	BETA RELEASE	4/15/03	RME
1289	B	ADD HI POWER 12AMP 16AWG PINS AND KIT	7/21/03	LGK



**MBI1 A/C INPUT**  
 MATING CONNECTOR:   
 HOUSING: MOLEX (39-01-4051)  
 SOCKET CRIMP 12AMP 16 AWG: MOLEX (44476-3112)  
 CRIMP TOOL: MOLEX (11-01-0199)

**PIN DESCRIPTION**

1	SGND
2	N/C
3	ACOK
4	TX - 232
5	RX - 232
6	E/D-4
7	E/D-3
8	E/D-2
9	E/D-1
10	GSD
11	N/C
12	+5VS

CB J1 E/D INTERFACE CONNECTOR  
 MATING CONNECTOR:   
 HOUSING: MOLEX (50-57-9412)  
 SOCKET CRIMP 24-30 AWG: MOLEX (16-02-0097)  
 CRIMP TOOL: MOLEX (11-01-0209)

(18 PIN, 2 MICRO MODULES)  
**PIN DESCRIPTION**

1	**+V OUT M2	10	**+V OUT M2
2	** -V OUT M2	11	**+V OUT M2
3	** -V OUT M2	12	** -V OUT M2
4	**+V OUT M2	13	**+V OUT M1
5	** -V OUT M2	14	TRIM M2
6	TRIM M1	15	** -V OUT M1
7	**+V OUT M1	16	**+V OUT M1
8	**+V OUT M1	17	** -V OUT M1
9	** -V OUT M1	18	** -V OUT M1

(18 PIN, MINI or JUNIOR MODULE)  
**PIN DESCRIPTION**

1	N/C	10	N/C
2	N/C	11	N/C
3	N/C	12	N/C
4	N/C	13	+ SENSE M1
5	N/C	14	N/C
6	TRIM M1	15	- SENSE M1
7	**+V OUT M1	16	**+V OUT M1
8	**+V OUT M1	17	** -V OUT M1
9	** -V OUT M1	18	** -V OUT M1

(18 PIN, MICRO/ MINI or JUNIOR MODULES)  
**PIN DESCRIPTION**

1	**+V OUT M4	10	**+V OUT M4
2	** -V OUT M4	11	**+V OUT M4
3	** -V OUT M4	12	** -V OUT M4
4	+SENSE M4	13	**+V OUT M3
5	-SENSE M4	14	TRIM M4
6	TRIM M3	15	** -V OUT M3
7	**+V OUT M3	16	**+V OUT M3
8	**+V OUT M3	17	** -V OUT M3
9	** -V OUT M3	18	** -V OUT M3

(18 PIN, 2 MINI or JUNIOR MODULES)  
**PIN DESCRIPTION**

1	**+V OUT M3	10	**+V OUT M3
2	** -V OUT M3	11	**+V OUT M3
3	** -V OUT M3	12	** -V OUT M3
4	+ SENSE M3	13	+ SENSE M2
5	- SENSE M3	14	TRIM M3
6	TRIM M2	15	- SENSE M2
7	**+V OUT M2	16	**+V OUT M2
8	**+V OUT M2	17	** -V OUT M2
9	** -V OUT M2	18	** -V OUT M2

**TRIM PIN**  
 + REMOTE SENSE  
 - REMOTE SENSE  
 J1 & J2 REMOTE SENSE/TRIM PIN ACCESS CONNECTOR

MATING CONNECTOR:   
 HOUSING: MOLEX (50-57-9403)  
 SOCKET CRIMP 24-30 AWG: MOLEX (16-02-0103)  
 CRIMP TOOL: MOLEX (11-01-0208)

NOTES: UNLESS OTHERWISE SPECIFIED

- REFERENCE DESIGNATION LEGEND:  
 MB = MOTHER BOARD  
 CB = CONTROL BOARD
- CONNECTOR PART NUMBERS SPECIFIED ARE MOLEX OR EQUIVALENT.
- A COMPLETE SET OF MATING CONNECTORS CAN BE PURCHASED FROM WESTCOR BY SPECIFYING CONNECTOR KIT P/N 19-130044. A KIT CONTAINING 40EA OF THE HI POWER 12 AMP 16 AWG CRIMP PINS IS P/N: 19-130050.

MATING CONNECTORS:  
 18 PIN HOUSING: MOLEX (39-01-2180)  
 SOCKET CRIMP 12AMP 18-24 AWG: MOLEX (39-00-0039)  
 CRIMP TOOL: MOLEX (11-01-0197)

MATING CONNECTORS:  
 18 PIN HOUSING: MOLEX (39-01-2180)  
 SOCKET CRIMP 12AMP 16AWG: MOLEX (44476-3112)  
 CRIMP TOOL: MOLEX (11-01-0199)

ITEM NO	PART OR IDENTIFYING NO	QUANTITY	DESCRIPTION	MATERIAL SPECIFICATION	QTY REQD
UNLESS OTHERWISE SPECIFIED DIMENSIONS ARE IN INCHES TOLERANCES ARE: FRACTIONS DECIMALS ANGLES ± 1/32 .XX ± .01 ± 1/8					
MATERIAL FINISH					
NEXT ASSY USED ON					
APPLICATION DO NOT SCALE DRAWING					

APPROVALS

DATE: 3/1/02

CHECKED: RANELIS

APPROVED:

WESTCOR a division of VICOR Corp.

OUTLINE DRAWING

FLATPAC-EN

SIZE DWG. NO. 08-130140

SCALE NTS FILENAME: 08-130140

REV B

SHEET 1 OF 1