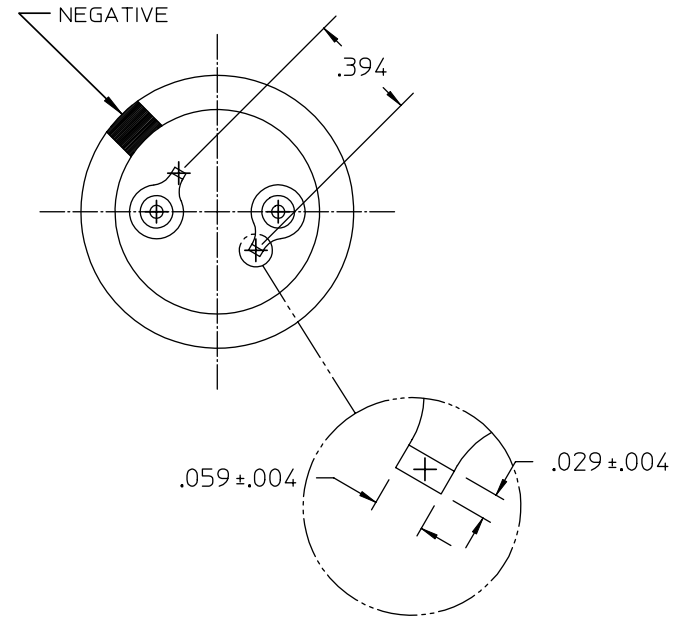
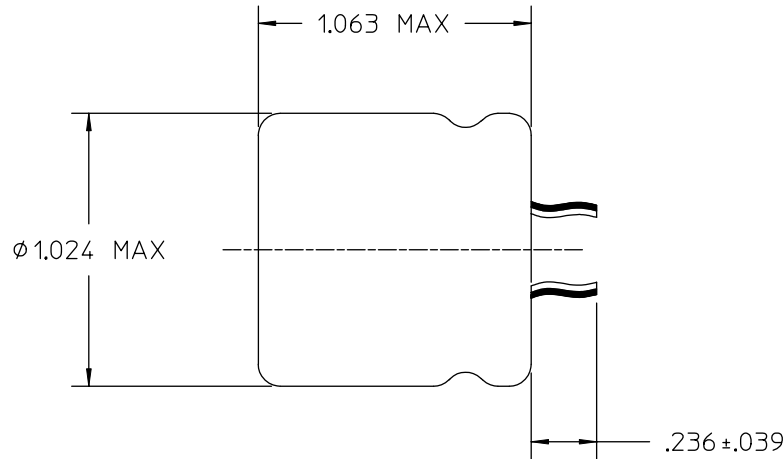


**VICOR CONFIDENTIAL**

THIS DOCUMENT AND THE DATA DISCLOSED HEREIN OR HEREWITH IS NOT TO BE REPRODUCED, USED, OR DISCLOSED IN WHOLE OR IN PART TO ANYONE WITHOUT PERMISSION OF VICOR CORP.

REV.	DESCRIPTION	DATE	APPROVED
#1	RoHS UPDATE 08376	10/26/05	BH



ELECTRICAL CHARACTERISTICS @ T=20°C (UNLESS OTHERWISE SPECIFIED)

PARAMETER	SYMBOL	MIN	TYP	MAX	UNITS	TEST CONDITIONS
CAPACITANCE	C	216	270	324	μF	@ 120 Hz, 20°C
LEAKAGE CURRENT	I <sub>DCL</sub>			1080	μA	@ 20°C, 5 MINUTES @ RATED VOLTAGE
						@ 20°C, 5 MINUTES
EQUIVALENT SERIES RESISTANCE	ESR			.614	Ω	@ 120 Hz, 20°C
WORKING VOLTAGE	V <sub>DCW</sub>				V	
OPERATING TEMPERATURE	T	-40°C - +85°C			°C	

MARKING:  
MFG. ID/PF CODE

NOTES:

1. RoHS COMPLIANT, LEAD FREE PER CST-0001 LATEST REVISION.

DRAWN BY <i>P.E.IENI</i>	DATE 10/26/05			
UNLESS OTHERWISE SPECIFIED DIMENSIONS ARE IN INCHES - TOLERANCES ARE:		<b>CAP. ALEL SNAP MOUNT</b>		
FRACTIONS DECIMALS ANGLES *1/64 .XX = .01 *1° .XXX = .005		<b>270μF ±20% 200V</b>		
THIRD ANGLE PROJECTION 	SIZE <b>B</b>	FSCM NO. <b>67131</b>	DWG NO. <b>30769</b>	REV <b># 1</b>
DO NOT SCALE DRAWING	SCALE NONE	SHEET 1 OF 1		