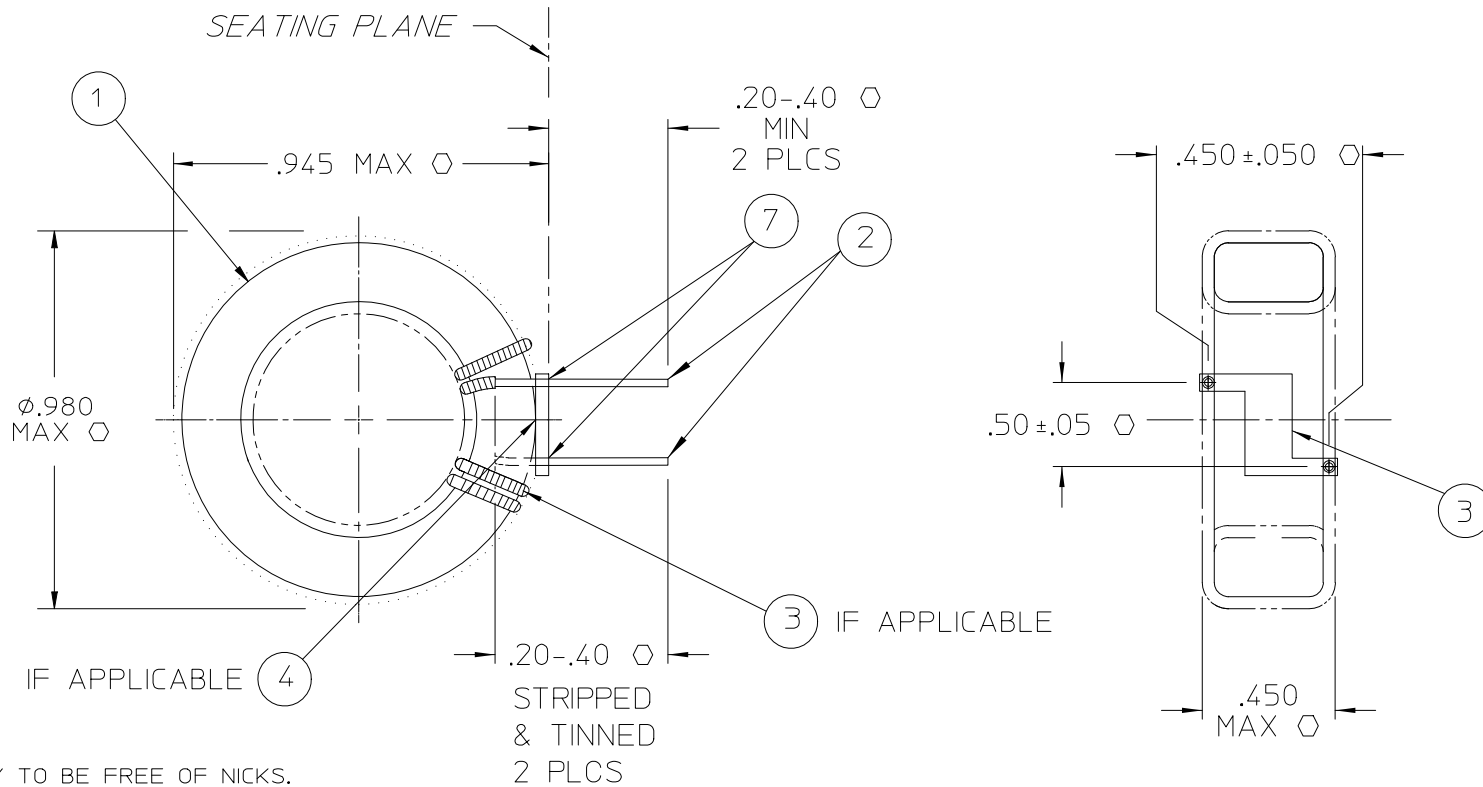


VICOR CONFIDENTIAL

THIS DOCUMENT AND THE DATA DISCLOSED HEREIN OR HEREWITH IS NOT TO BE REPRODUCED, USED, OR DISCLOSED IN WHOLE OR IN PART TO ANYONE WITHOUT PERMISSION OF VICOR CORP.

REV.	DESCRIPTION	DATE	APPROVED
1	RELEASED PER E060461 PEI	02/01/06	MB
2	REVISED PER ECO Request E064534 REJH	10/17/06	MB
3	REVISED PER E070923 SRG	05/01/07	EM



NOTES:

1. ASSEMBLY TO BE FREE OF NICKS.
2. WINDINGS TO BE EVENLY SPACED.
3. RoHS COMPLIANT, LEAD FREE PER CST-0001 LATEST REVISION, MAGNETICS SECTION.
4. GENERAL WORKMANSHIP STANDARDS FOR MAGNETIC COMPONENTS PER WS-0002.
5. DENOTES CRITICAL CHARACTERISTIC FOR LOT INSPECTION.
6. BOND THE MOUNT ITEM 3 IF APPLICABLE TO INDUCTOR LEADS (2 POSITIONS) USING EPOXY ITEM 7.

TEST	1 KHz @ 10 mV	2	PRI	20	14.7- 22.1	8 MAX
		ITEM NO.	WINDING	NO. OF TURNS	IND.(uH)	DC RES (m Ω)

DRAWN BY	DATE
P.E.IENI	11/04/05
UNLESS OTHERWISE SPECIFIED DIMENSIONS ARE IN INCHES- TOLERANCES ARE: FRACTIONS DECIMALS ANGLES ±1/64 .XX= ±.01 ±1° .XXX=±.005	
THIRD ANGLE PROJECTION	
DO NOT SCALE DRAWING	



ASSY DWG
IND TOR .98 DIA 1W

SIZE	FSCM NO.	DWG NO	REV
B	67131	32065	3
SCALE	SHEET 1 OF 1		