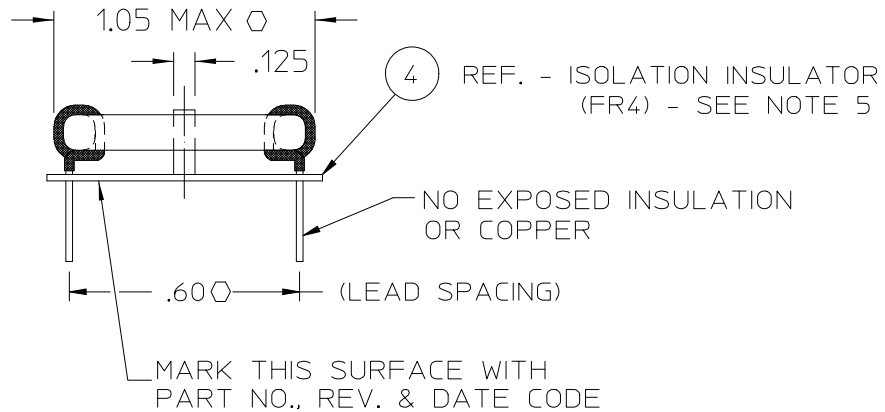
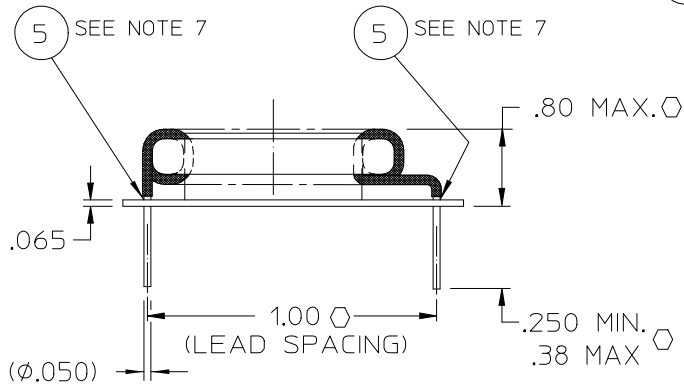
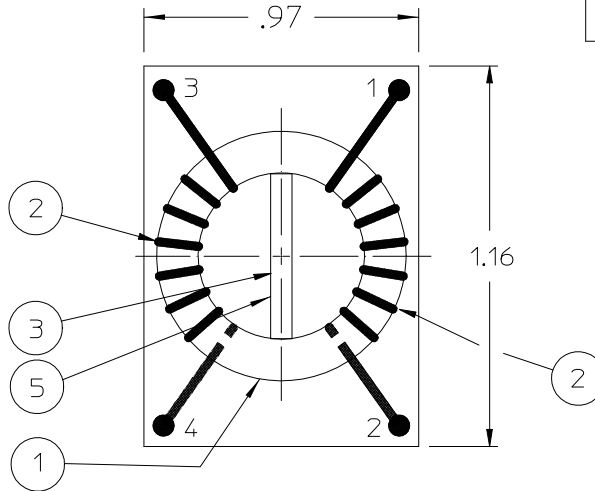


VICOR CONFIDENTIAL

THIS DOCUMENT AND THE DATA DISCLOSED HEREIN OR HEREWITH IS NOT TO BE REPRODUCED, USED, OR DISCLOSED IN WHOLE OR IN PART TO ANYONE WITHOUT PERMISSION OF VICOR CORP.

REV.	DESCRIPTION	DATE	APPROVED
#1	RoHS UPDATE 18768	PEI 11/02/05	MB

REF:
ISOLATION INSULATOR (FR4)
SEE NOTES 5 & 7



- NOTES:
- ASSEMBLY TO BE FREE OF NICKS.
 - WINDINGS TO BE EVENLY SPACED.
 - RoHS COMPLIANT, LEAD FREE PER CST-0001 LATEST REVISION, MAGNETICS SECTION.
 - GENERAL WORKMANSHIP STANDARDS FOR MAGNETIC COMPONENTS PER WS-0002.
 - ITEMS 3 & 4 SUPPLIED BY VENDOR AT ASSEMBLY.
 - ALL PARTS FLAME RATED MIN, U.L. 94V-0.
 - APPLY ADHESIVE (ITEM 5) TO THE BASE OF ISOLATION INSULATOR (ITEM 3) AND TO ALL LEADS ON THE TOP SURFACE OF THE BOARD.
 - Ø DENOTES CRITICAL CHARACTERISTIC FOR LOT INSPECTION.

DRAWN BY <i>P.E.IENI</i>		DATE 11/02/05			
UNLESS OTHERWISE SPECIFIED DIMENSIONS ARE IN INCHES - TOLERANCES ARE: FRACTIONS DECIMALS ANGLES ±1/64 .XX ±.01 ±1° .XXX ±.005					
THIRD ANGLE PROJECTION 		SIZE B	FSCM NO. 67131	DWG NO 31895	REV #1
DO NOT SCALE DRAWING		SCALE NONE	SHEET 1 OF 1		